

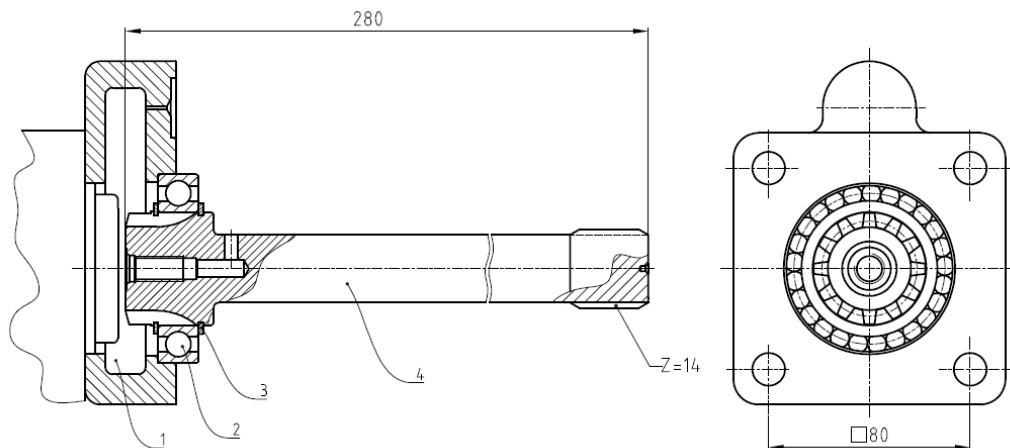


ADAPTER KIT TO POWER TAKE OFFS ZF

16-S-251 IT; 16-S-2720 TO IT

Ref.VK4008S

Main Dimensions



- 1 – Spacer
- 2 – Bearing
- 3 – Circlip
- 4 – Adapter shaft VK4008

(Dimensions in mm)

Main Data

Continuous Torque (Nm)	600
Intermittent Torque (Nm)	840
Power (at 1000 r.p.m)	85 H.P. / 64 Kw
Weight (Kg)	2.3
Engine-Kit adapter ratio	

16-S-251 IT High:- 1 : 0.92 Normal:- 1 : 0.77

16-S-2720 TO IT / 13.80-0.84 High:- 1 : 1.09 Normal:- 1 : 0.91

KIT Studs:

KIT VK4008S for PTO (ratio 1:1)

- 4 stud M12x155
- 4 nut M12
- 4 washer
- 1 jute ZF
- 1 jute IT

CTI VK4008S 1004- 2

ABER is constantly engaged in improving its products and, therefore, reserves itself the right to modify without any further notice the characteristics shown. The gear boxes are in constant change; therefore, ABER is not to be held responsible for any damage resulting from wrong application or application of outdated material.



ABER - Embraigens e Comandos Hidráulicos - A. B. LDA

Rua Francisco de Almeida, Nº 30 – Vila Nova da Telha – 4470 MAIA - Portugal

Telephone: +351.22.9438070 Fax: +351.22.9420823 e-mail: aber@aber.pt <http://www.aber.pt>

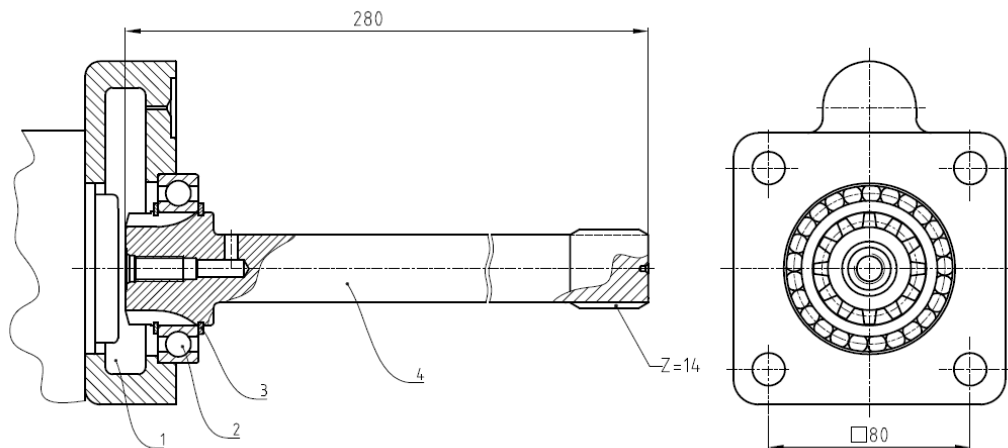


ADAPTER KIT TO POWER TAKE OFFS ZF

16-S-251 IT; 16-S-2720 TO IT

Ref.VK4008AM

Main Dimensions



- 1 – Spacer
- 2 – Bearing
- 3 – Circlip
- 4 – Adapter shaft VK4008

(Dimensions in mm)

Main Data

Continuous Torque (Nm)	600
Intermittent Torque (Nm)	840
Power (at 1000 r.p.m)	85 H.P. / 64 Kw
Weight (Kg)	2.3
Engine-Kit adapter ratio	

16-S-251 IT High:- 1 : 0.92 Normal:- 1 : 0.77

16-S-2720 TO IT / 13.80-0.84 High:- 1 : 1.09 Normal:- 1 : 0.91

KIT Studs:

KIT VK4008AM for PTO (ratio 1:1.32)

- 2 stud M12x135
- 2 stud M12x170
- 4 nut M12
- 4 washer
- 1 jute ZF
- 1 jute IT

CTI VK4008AM 1004- 2

ABER is constantly engaged in improving its products and, therefore, reserves itself the right to modify without any further notice the characteristics shown
The gear boxes are in constant change; therefore, ABER is not to be held responsible for any damage resulting from wrong application or application of outdated material



ABER - Embraigens e Comandos Hidráulicos - A. B. LDA

Rua Francisco de Almeida, Nº 30 – Vila Nova da Telha – 4470 MAIA - Portugal

Telephone: +351.22.9438070 Fax: +351.22.9420823 e-mail: aber@aber.pt <http://www.aber.pt>

1/1