



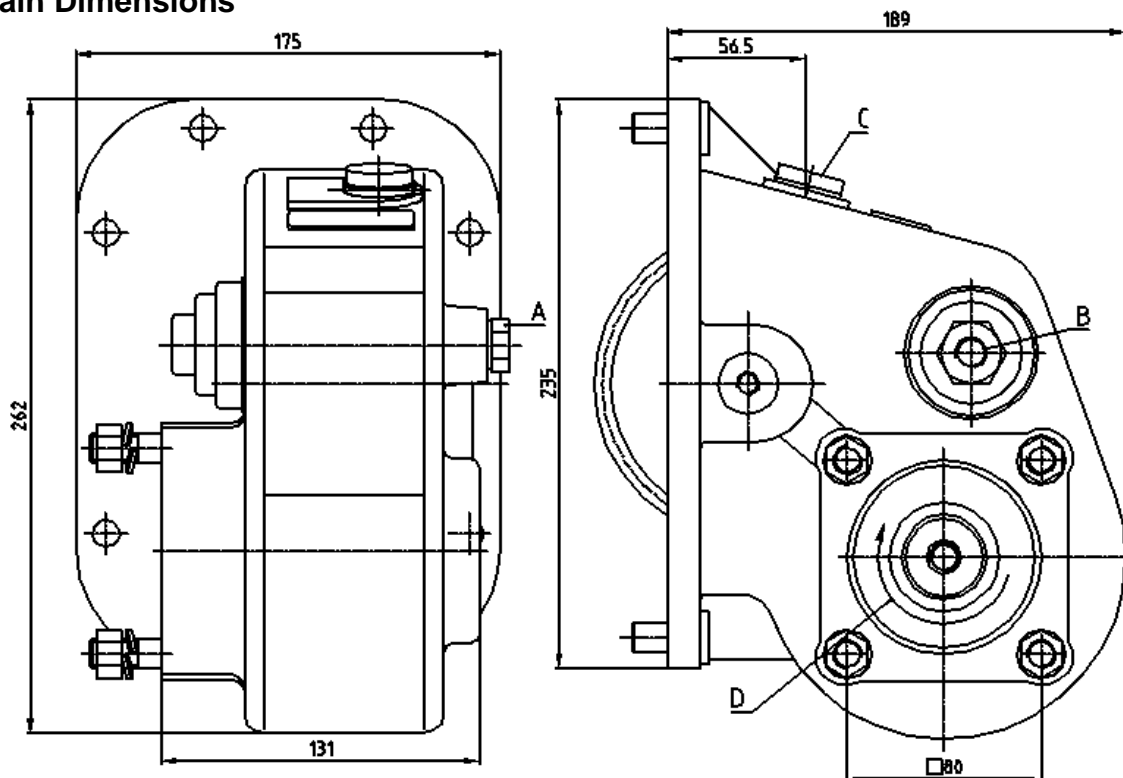
## Power Take Offs

Ref. TF10009P

SCANIA

GR 900 ; GR 900R ; GRH 900

### Main Dimensions



- A – Option: Electric sensor with mechanical driving Ref. TF10009PS or TF10009PC
- B – Air connection
- C – Backlash check plug
- D – Pump rotation

(Dimensions in mm)

### Main Data

Continuous Torque (Nm)	380
Intermittent Torque (Nm)	530
Power (at 1000 rpm)	53 cv / 39 kW
Mounting Position	Right
Pump Rotation	Left Hand
Weight (kg)	17,5
PTO internal ratio	1:1
Indicative ratio from motor to PTO's output	1:1,18

CTI TF10009P 1211-2

ABER is constantly engaged in improving its products and, therefore, reserves itself the right to modify without any further notice the characteristics shown. The gear boxes are in constant change; therefore, ABER is not to be held responsible for any damage resulting from wrong application or application of outdated material.



ABER - Embraiaagens e Comandos Hidráulicos - A. B. LDA

Rua Francisco de Almeida, Nº 30 – Vila Nova da Telha – 4470 MAIA - Portugal

Telephone: +351.22.9438070 Fax: +351.22.9420823 e-mail: [aber@aber.pt](mailto:aber@aber.pt) <http://www.aber.pt>